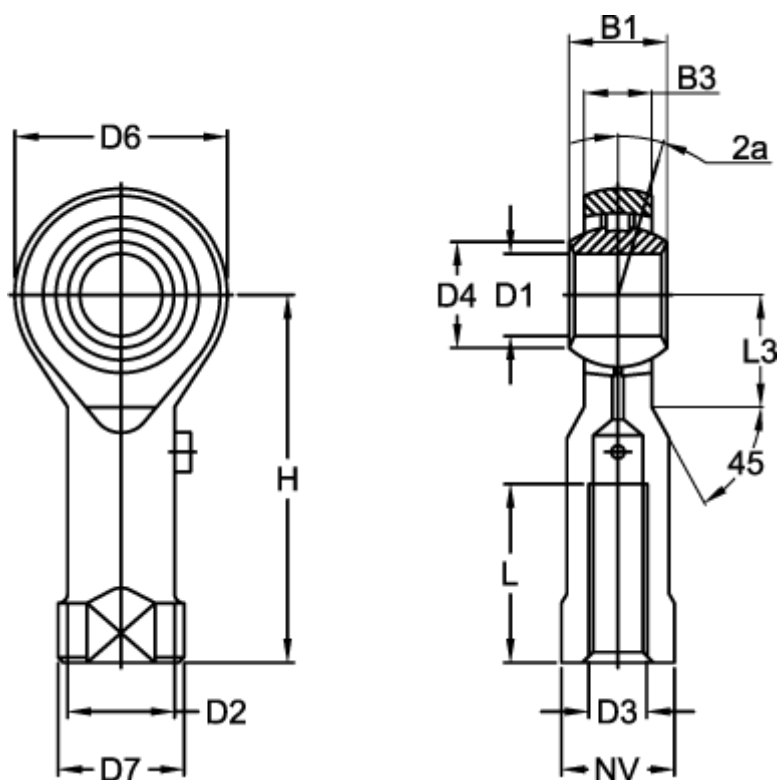


Article number: 03703020

Description: Fluro rod end BRTF 20 L
threaded left with roller bearing

Measures



Angel 2a = 7.0	D7 = 34	Weight (kg) = 0.361
B1 = 25	Dynamic load C (N) = 17000	
B3 = 18.00	H = 77	
D1 = 20	L = 33	
D2 = 27.5	L3 = 26	
D3 = M20x1,5	Max rpm = 825	
D4 = 24.5	NV = 30	
D6 = 50	Static load (N) = 11700	